

**DISCOVER
THE ART OF FIRE**



VIRTUO

THE FUTURE IS AVAILABLE NOW

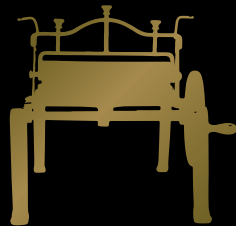
DRU DISCOVERS:
THE ART OF FIRE



FIRE
398000 YEARS BC



WHEEL
3500 YEARS BC



PRINTING PRESS
1450 YEARS AD



THE ART OF FIRE
2020 YEARS AD

*Somewhere between 800,000 BC and 350,000 BC
it happened: Man's greatest discovery ever... Fire.
It brought warmth, light and security to mankind.
In short, it is the driving force behind our evolution.*

Now it's time for an update. What's the point? We want the cosiness and romance of fire, but we don't want the emissions. That's exactly why we reinvented fire at DRU. No traditional fuels, but the atmosphere. From now on it's possible. We proudly present DRU Virtuo. The art of fire.



VIRTUO



THE FIREPLACE OF THE FUTURE **ELECTRIC, SUSTAINABLE AND ATMOSPHERIC**

*The DRU Virtuo is not just an electric fire.
It's atmosphere and warmth from a plug that you
can enjoy three-dimensionally. With the new and
advanced 3D technology, DRU Virtuo makes it
possible to enjoy an atmospheric fireplace from
all corners of your room.*

ATMOSPHERE, WITHOUT TRADITIONAL FUELS

Improve fire. It sounds impossible, yet we succeeded. With the electric DRU Virtuo, fire makes the step to the future. And that has advantages. For you and for the environment. Our new fire no longer requires fossil fuels, but offers exactly what you're looking for in fire. A lively play of flames, the sound of crackling wood and wonderfully warm when you want it. Only DRU Virtuo gives you the feeling of sitting in front of a real fire. You have to feel it to believe.



SELECT YOUR OWN FLAME IMAGE
**ROMANTIC, MODERN
OR COZY**

Coming home on a cold winter's day, a romantic evening for two or just fun for the whole family. That's DRU Virtuo. The Virtuo can't be compared to any other fireplace.

VIRTUO-FLAME®, ENJOY IN 3D

Whichever side you enjoy DRU Virtuo from, thanks to the projection technique we developed, the new fire is indistinguishable from ordinary fire. There is a wide choice of different flame images; choose the flames you like.

ECO GLOW LED GLOW BED

The natural log set combined with the LED glow bed completes the atmosphere in your room. With your remote control or via the app you can select beautiful flame images, control the warmth and choose the sound of a cozy crackling fire.



THE NEW FIRE IS FULL OF INNOVATION





CONTROL YOUR ATMOSPHERE AT HOME

The Virtuo is easy to operate. With the remote control you choose the flame image you like, turn the sound of a crackling fire on or off and determine the desired heat output.

With the special Wifi app you can control the fire via your smartphone and have the following additional functions:

- *Switch it on and off via the timer*
- *Uploading additional flame images*
- *Glow bed with adjustable intensity*
- *Sound of crackling wood*
- *Heat output via thermostat*

VIRTUO GIVES MAXIMUM ATMOSPHERE WITH MINIMAL ENVIRONMENTAL IMPACT

The new fire is not just for this generation. The DRU Virtuo has been developed with the future in mind and is taking a step in the right direction.

SUSTAINABILITY IS CENTRAL

Every new DRU fire or stove excels when it comes to sustainability. Fires that guarantee optimum functionality and a long service life. With DRU Virtuo we add an extra component to this.

WITHOUT TRADITIONAL FUELS

The DRU Virtuo is 100% electric, which means you don't need traditional fuel anymore. This means far fewer CO₂ emissions. Do you happen to have solar panels at home? If you do this is a completely sustainable way to create an atmosphere!



**A POWER OUTLET IS
ENOUGH FOR A ROOM
FULL OF ATMOSPHERE**





THE NEW FIRE CAN GO ANYWHERE

- *Plug & play, place anywhere*
- *No chimney or flues required*
- *Easy to operate with the remote control and app*
- *Maintenance friendly*
- *Choose your own design and finish*
- *Optional convection spoiler ensures optimum air circulation*

A DRU VIRTUO FOR EVERYONE

Every house is different and no wish is the same. That's why you will find DRU Virtuo in all shapes and sizes, divided into three categories: front fires, 2-sided fires and 3-sided fires. Which DRU Virtuo suits you best?



**THE FEELING OF FIRE
WITH THE ADVANTAGE OF ELECTRIC**

VIRTUO 80/3

3-sided fires

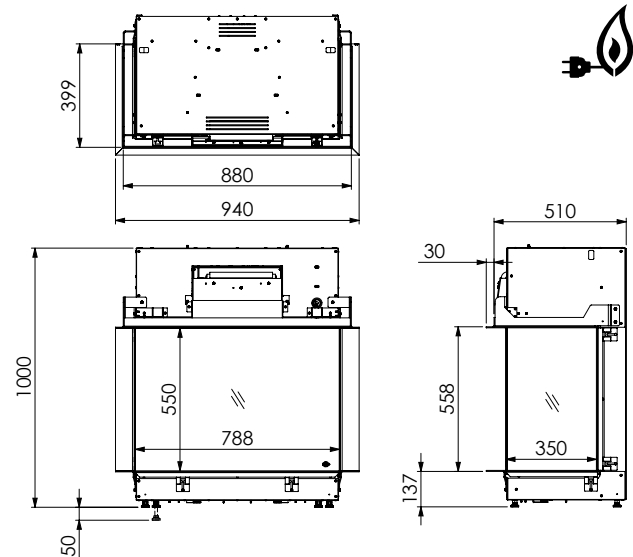


Scan this QR code for burning fire.

Not one, not two, but three sides to lose yourself in the flames. You'll find it with the Virtuo 80/3. The ideal fire to place between different rooms as a room divider. Always the radiant centrepiece of your home. Those who choose the Virtuo 80/3, choose atmosphere from all sides.

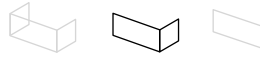
Virtuo 80/3

| | |
|-----------------|-------------------------------------------|
| Flame picture | Virtuo-Flame® technology |
| Burner bed | log set brown and Eco Glow (LED glow bed) |
| Interior finish | decorative glass black |
| Control | remote control and via app |
| Built-in depth | 510 mm |
| Connection | 230 volt |
| Heating | 1000-2000 Watt (thermostatic) |
| Weight | 100 kg |



VIRTUO 80/2

2-sided fires

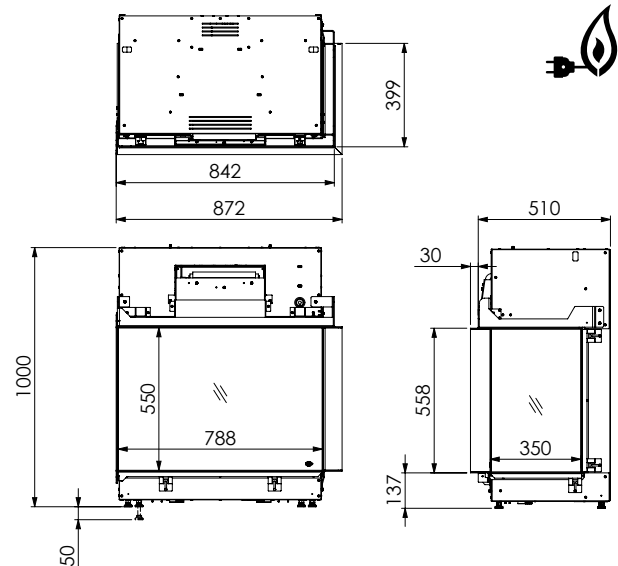


Scan this QR code for burning fire.

Enjoy the new fire from two different rooms at the same time? The Virtuo 80/2 makes it possible. No other fireplace can be built into a corner so tightly without a frame. Not only does it look great, it also saves extra space. A versatile eye-catcher like this is a typically DRU design.

Virtuo 80/2

| | |
|-----------------|-------------------------------------------|
| Flame picture | Virtuo-Flame® technology |
| Burner bed | log set brown and Eco Glow (LED glow bed) |
| Interior finish | decorative glass black |
| Control | remote control and via app |
| Built-in depth | 510 mm |
| Connection | 230 volt |
| Heating | 1000-2000 Watt (thermostatic) |
| Weight | 100 kg |



VIRTUO 75

Front fires

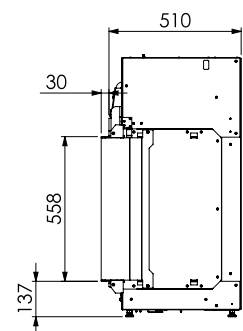
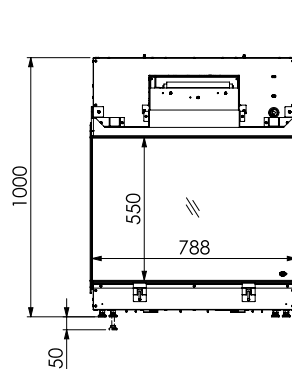
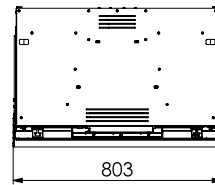


Scan this QR code for burning fire.

Luxury is now possible everywhere, with the Virtuo 75. Give your bedroom an air of romance or make your living room extra cosy. There is always a Virtuo 75 to suit your situation and budget. Yes, with this mood enhancer you can easily take every room to a higher level.

Virtuo 75

| | |
|-----------------|-------------------------------------------|
| Flame picture | Virtuo-Flame® technology |
| Burner bed | log set brown and Eco Glow (LED glow bed) |
| Interior finish | decorative glass black |
| Control | remote control and via app |
| Built-in depth | 510 mm |
| Connection | 230 volt |
| Heating | 1000-2000 Watt (thermostatic) |
| Weight | 100 kg |





FIRE AND CRAFTSMANSHIP SINCE 1754

At DRU we make stoves and fires. We design and produce our stoves and fires all in the Netherlands with a lot of love and craftsmanship. We are well aware that it's not just about the product itself, but also about the atmosphere and warmth it creates in people's homes. We at DRU have been proving that passion leads to great results for over 265 years.

In every design we focus on the lives of people like you. How can we make it even more enjoyable to you? How can we improve the atmosphere even more? Make it smarter? Form and function are exactly in line with one another. We now offer a premium range of gas and wood-burning fire and stoves throughout Europe. With DRU Virtuo we are now also setting new standards for electric fires.



THE BALANCE BETWEEN PEOPLE AND ENVIRONMENT

Sustainable business operations require a continuous balance between people and the environment. At DRU, customer satisfaction and efficiency go hand in hand with environmental friendliness and safety.



HIGH QUALITY AMBITION

We say what we do and do what we say. It's an ambitious and critical attitude that is perceptible everywhere and drives us to do a little better every day.



THE EASE OF USE THAT MAKES A DIFFERENCE

Ease of use for our customers is always at the heart of what we do and think. How can our products and services be smarter, more innovative, more comfortable? For this we are in constant contact with users, suppliers and our dealers.



ONGOING DEVELOPMENT

Critical, curious, eager to learn, open to feedback, always wanting to do better. A progressive feeling that is anchored in our DNA. It is the awareness that we can only move forward by continuing to develop ourselves.

DRU 1754



DRU 2021





DRU Verwarming B.V.
 P.O. Box 1021 | 6920 BA Duiven
 Ratio 8 | 6921 RW Duiven
 The Netherlands
 T. +31 (0)26 - 319 5 319
 F. +31 (0)26 - 319 5 348
 www.virtuofires.nl

Drugasar Ltd.
 Deans Road | Swinton
 Manchester | M27 0JH
 United Kingdom
 T. +44 (0)161 - 793 8700
 F. +44 (0)161 - 727 8057
 www.virtuofires.co.uk

DRU Belgium
 Kontichsesteenweg 69/1
 2630 Aartselaar
 Belgium
 T. +32 (0)3 - 450 7000
 F. +32 (0)3 - 450 7009
 www.virtuofires.be

Dealer



www.drufire.com



since **1754**



Art. 993514 | 2021-10

DRU: Member of the Spartherm-Group

Subject to changes. The colours in this brochure may vary from the actual products.
 Nothing in this publication may be used without prior written consent from DRU Verwarming B.V.

SOCIAL MEDIA: For more inspiration and information, visit one of our social media channels or scan the QR code.

